

Section 3

Stainless Steel Attachment Chain



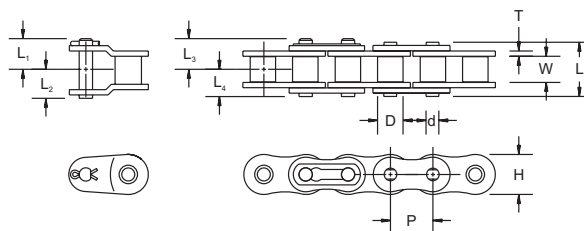
Stainless Steel Attachment Chain

Drives, Inc. produces 304 series stainless steel chains that provide excellent resistance to most corrosive agents as well as temperature extremes beyond the capability of carbon steel chain. 304 series chains normally have very low magnetic permeability.

- Provides corrosion resistance superior to either nickel plated or coated series chains
- Provides for operation in temperature ranges above and below where carbon steel base chains can operate
- Available in a variety of grades depending on the specific application's requirements
- 304 series chains are considered to be non-magnetic

Stainless Steel Attachment Chain

ANSI Chain Sizes Available with Standard Attachments

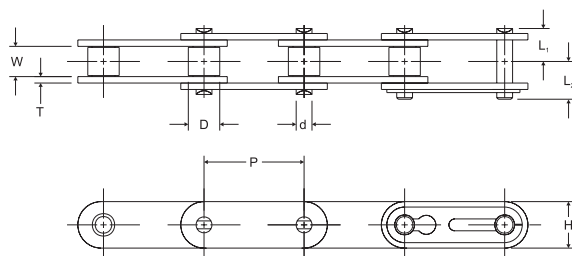


Stainless Steel Chain

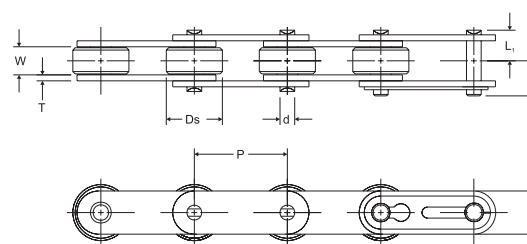
Drives, Inc.	Pitch	Width Between L.P.	Roller Dia.	Link Plate			Pin Dia.	Pin					Max. Allowable Load	Average Weight
				H	T	d		L	L ₁	L ₂	L ₃	L ₄		
Chain No.	P	W	D	H	T	d	L	L ₁	L ₂	L ₃	L ₄	Lb.	Lb./Ft.	
40SS	0.500	0.312	0.312	0.472	0.060	0.156	0.630	0.404	0.317	0.377	0.315	100	0.420	
50SS	0.625	0.376	0.400	0.590	0.080	0.200	0.795	0.489	0.399	0.489	0.398	165	0.713	
60SS	0.750	0.500	0.469	0.705	0.094	0.234	0.996	0.600	0.498	0.648	0.498	231	1.067	
80SS	1.000	0.626	0.625	0.943	0.125	0.313	1.283	0.768	0.638	0.857	0.642	396	1.868	

Extended Pitch Roller Chain

Small Roller



Large Roller



Stainless Steel Chain / Small Roller

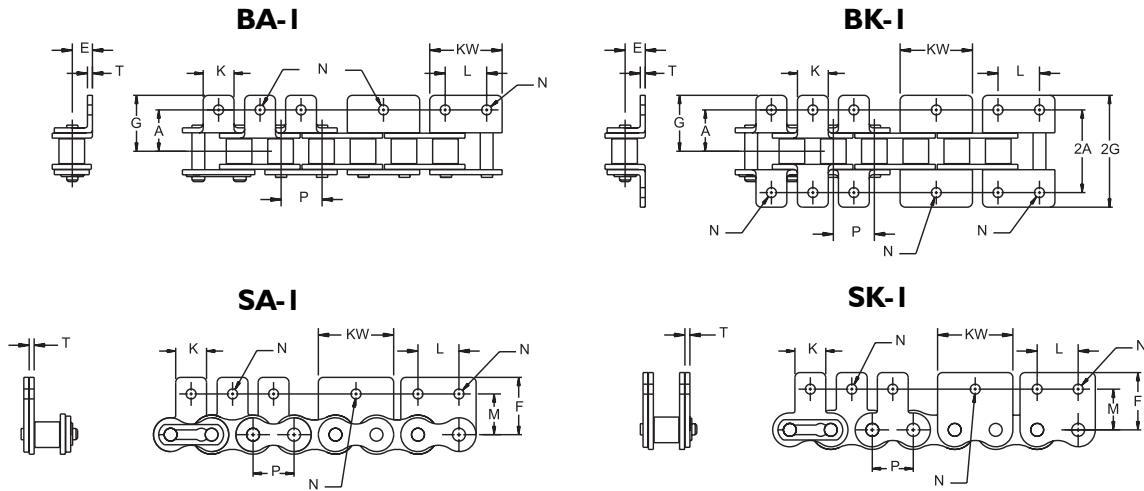
Drives, Inc.	Pitch	Link Plate							Max. Allowable Load	Average Weight
		W	D	H	T	d	L ₁	L ₂		
Chain No.	P	W	D	H	T	d	L ₁	L ₂	Lb.	Lb./Ft.
C2040SS	1.000	0.312	0.312	0.472	0.060	0.156	0.319	0.382	100	0.340
C2050SS	1.250	0.376	0.400	0.590	0.080	0.200	0.409	0.477	165	0.580
C2060HSS	1.500	0.500	0.469	0.687	0.125	0.234	0.590	0.660	231	1.010
C2080HSS	2.000	0.626	0.625	0.943	0.156	0.312	0.745	0.845	396	1.770

Stainless Steel Chain / Large Roller

Drives, Inc.	Pitch	Link Plate							Max. Allowable Load	Average Weight
		W	D _s	H	T	d	L ₁	L ₂		
Chain No.	P	W	D _s	H	T	d	L ₁	L ₂	Lb.	Lb./Ft.
C2042SS	1.000	0.312	0.625	0.472	0.060	0.156	0.319	0.382	100	0.580
C2052SS	1.250	0.376	0.750	0.590	0.080	0.200	0.409	0.477	165	0.900
C2062HSS	1.500	0.500	0.875	0.687	0.125	0.234	0.590	0.660	231	1.461
C2082HSS	2.000	0.626	1.125	0.943	0.156	0.312	0.745	0.845	396	2.450

Stainless Steel Attachment Chain

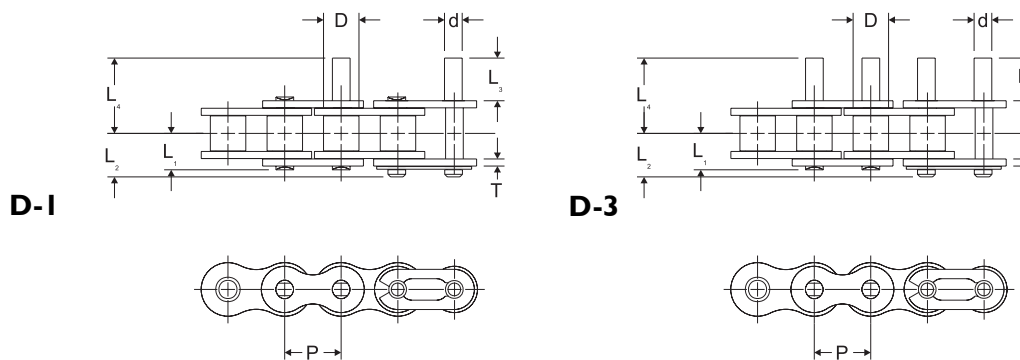
ANSI Roller Chain with Attachment



Stainless Steel Chain

Drives, Inc.	(BA-BK-SA-SK Type) Attachment													Average Weight per Attachment - Lb.	
Chain No.	P	T	K	KW	L	N	A	E	G	(2A)	(2G)	M	F	BA-SA	BK-SK
40SS	0.500	0.060	0.374	0.970	0.500	0.142	0.500	0.311	0.681	1.000	1.362	0.500	0.685	0.0044	0.0088
50SS	0.625	0.080	0.500	1.210	0.625	0.205	0.625	0.406	0.917	1.250	1.834	0.625	0.906	0.0066	0.0132
60SS	0.750	0.094	0.625	1.460	0.750	0.205	0.750	0.469	1.106	1.500	2.212	0.720	1.051	0.0154	0.0308
80SS	1.000	0.125	0.750	1.940	1.000	0.268	1.000	0.625	1.413	2.000	2.826	0.969	1.358	0.0287	0.0574
100SS	1.250	0.156	1.000	--	--	0.343	1.250	0.780	1.768	2.500	3.536	1.252	1.732	0.0572	0.1144
120SS	1.500	0.187	1.250	--	--	0.386	1.500	0.906	2.197	3.000	4.394	1.437	2.081	0.0968	0.1935
140SS	1.750	0.221	1.375	--	--	0.448	1.750	1.125	2.484	3.500	4.968	1.750	2.500	0.1562	0.3124
160SS	2.000	0.250	1.500	--	--	0.516	2.000	1.252	2.827	4.000	5.654	2.000	2.760	0.2134	0.4268

Extended Pin Roller Chain



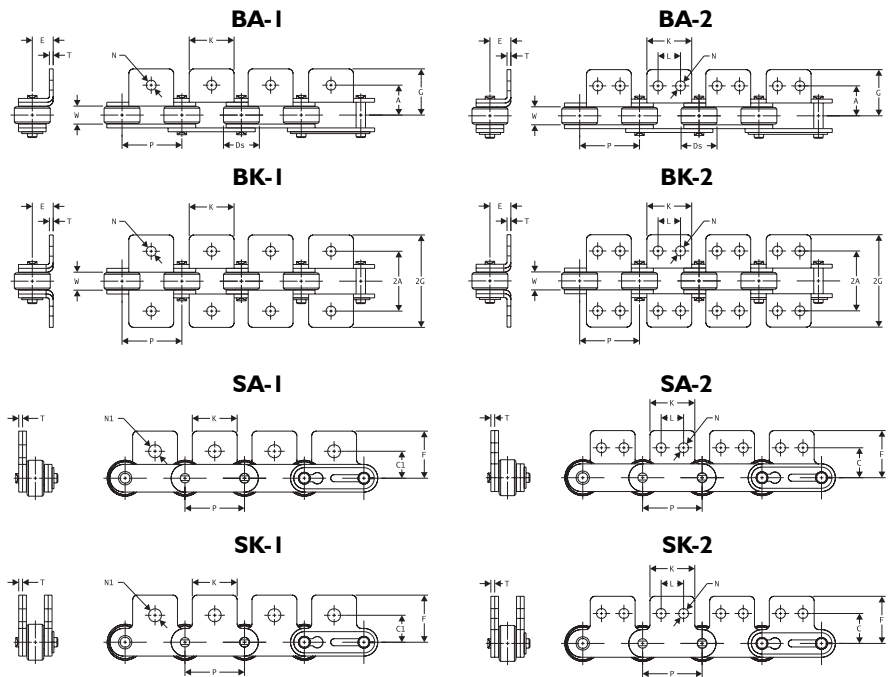
Stainless Steel Chain

Drives, Inc.									Average Weight per Attachment - Lb.	
Chain No.	P	T	d	L ₁	L ₂	L ₃	L ₄	D-1	D-3	
40SS	0.500	0.060	0.156	0.317	0.377	0.374	0.661	0.002	0.004	
50SS	0.625	0.080	0.200	0.399	0.489	0.469	0.827	0.004	0.008	
60SS	0.750	0.094	0.234	0.498	0.648	0.563	1.018	0.006	0.012	
80SS	1.000	0.125	0.313	0.638	0.857	0.752	1.335	0.020	0.040	

NOTE: Chain sizes 100, 120, 140 and 160 available in stainless steel on a made-to-order basis. Consult Drives, Inc. Engineering for application recommendations.

Stainless Steel Attachment Chain

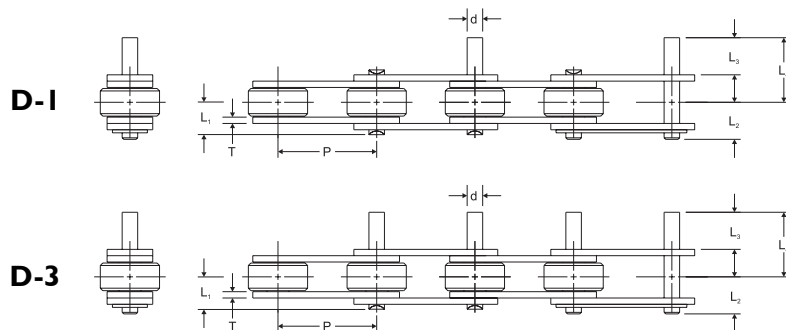
Extended Pitch Roller Chain with Attachment



Stainless Steel Chain

Drives, Inc.			(BA-BK-SA-SK Type) Attachment												Additional Weight Per Attachment-Lb		Max. Allowable Load
Chain No.	Pitch P	Link Plate T	(2A)						(2G)						BA-SA	BK-SK	
			K	N	L	A	E	G	B	H	C	F	C1	N1			
C2040SS C2042SS	1.000	0.060	0.750	0.142	0.374	0.500	0.358	0.750	1.000	1.500	0.531	0.780	0.437	0.205	0.006	0.013	100
C2050SS C2052SS	1.250	0.080	0.937	0.205	0.469	0.625	0.437	0.953	1.252	1.906	0.625	0.969	0.563	0.268	0.013	0.026	165
C2060HSS C2062HSS	1.500	0.125	1.126	0.205	0.563	0.844	0.579	1.230	1.688	2.460	0.750	1.205	0.689	0.346	0.037	0.075	231
C2080HSS C2082HSS	2.000	0.156	1.500	0.268	0.752	1.094	0.750	1.598	2.188	3.196	1.000	1.583	0.874	0.406	0.082	0.163	396

Extended Pin Roller Chain



Stainless Steel Chain

Chain No.	P	T	d	L ₁	L ₂	L ₃	L ₄	Additional Weight per Attachment-Lb.	
C2040 - C2042SS	1.000	0.060	0.156	0.317	0.377	0.374	0.661	0.002	0.004
C2050 - C2052SS	1.250	0.080	0.200	0.399	0.489	0.469	0.827	0.004	0.008
C2060H - C2062HSS	1.500	0.125	0.234	0.590	0.660	0.563	1.083	0.006	0.012
C2080H - C2082HSS	2.000	0.156	0.313	0.745	0.845	0.752	1.401	0.020	0.040