

Section 2

Corrosion Resistant Attachment Chain

Silver Shield CR™ Attachment Chain



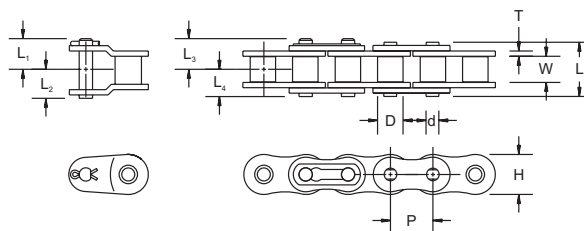
Silver Shield CR™ Attachment Chain

Drives Inc. recognizes that industry requires an option when the strength of carbon steel and some degree of corrosion resistance is required. For these reasons, we have engineered Silver Shield CR™ to provide industries this needed option. Silver Shield CR™ is constructed using our standard high-quality carbon components that have been specially coated using a Zinc-Aluminum compound. After coating, a protective polymer resin is applied and baked to insure complete resistance to abrasion and flaking. Silver Shield CR™ is specifically designed to resist corrosion in mildly acidic or caustic environments. For more information, contact Drives, Inc. application engineering for specific application criteria.

- Equal in strength to carbon steel chains
- Equal in wear resistance to carbon steel chains
- Protective coating is applied to all parts for uniform and complete protection

Corrosion Resistant Attachment Chain

ANSI Chain Sizes Available with Standard Attachments

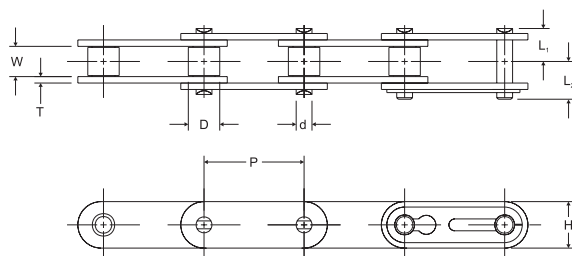


Silver Shield CR™ Coated Chain

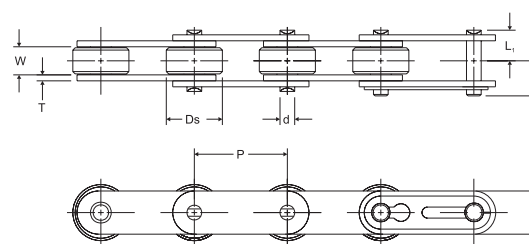
Drives, Inc.	Pitch	Width Between L.P.	Roller Dia.	Link Plate		Pin Dia.	Pin					Max. Allowable Load	Average Weight
							L	L ₁	L ₂	L ₃	L ₄		
Chain No.	P	W	D	H	T	d	L	L ₁	L ₂	L ₃	L ₄	Lb.	Lb./Ft.
40CR	0.500	0.312	0.312	0.472	0.060	0.156	0.630	0.404	0.317	0.377	0.315	615	0.420
50CR	0.625	0.376	0.400	0.590	0.080	0.200	0.795	0.489	0.399	0.489	0.398	1,010	0.713
60CR	0.750	0.500	0.469	0.705	0.094	0.234	0.996	0.600	0.498	0.648	0.498	1,410	1.067
80CR	1.000	0.626	0.625	0.943	0.125	0.313	1.283	0.768	0.638	0.857	0.642	2,350	1.868

Extended Pitch Roller Chain

Small Roller



Large Roller



Silver Shield CR™ Coated Chain / Small Roller

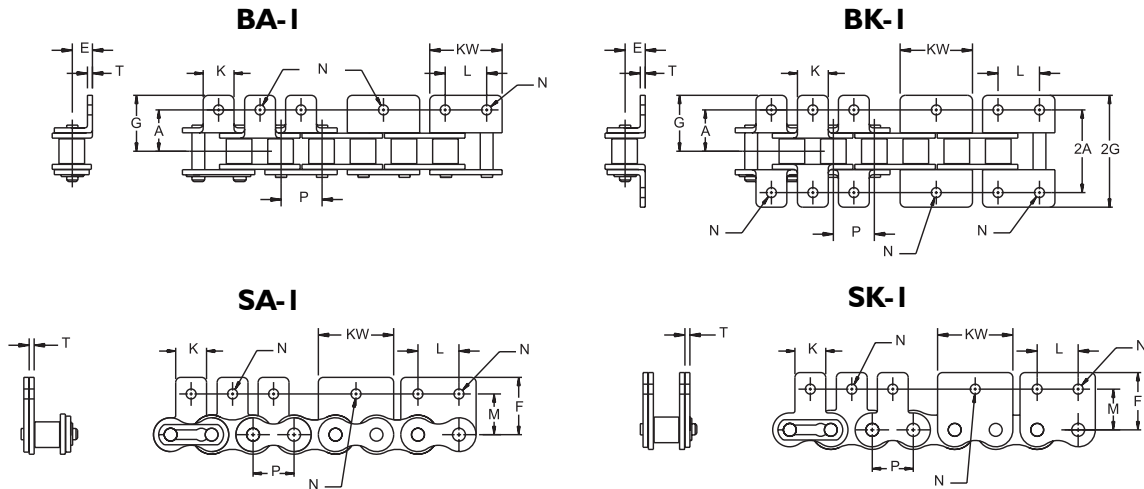
Drives, Inc.	Pitch	Link Plate							Max. Allowable Load	Average Weight
		W	D	H	T	d	L ₁	L ₂		
Chain No.	P	W	D	H	T	d	L ₁	L ₂	Lb.	Lb./Ft.
C2040CR	1.000	0.312	0.312	0.472	0.060	0.156	0.319	0.382	615	0.340
C2050CR	1.250	0.376	0.400	0.590	0.080	0.200	0.409	0.477	1,010	0.580
C2060HCR	1.500	0.500	0.469	0.687	0.125	0.234	0.590	0.660	1,410	1.010
C2080HCR	2.000	0.626	0.625	0.943	0.156	0.312	0.745	0.845	2,350	1.770

Silver Shield CR™ Coated Chain / Large Roller

Drives, Inc.	Pitch	Link Plate							Max. Allowable Load	Average Weight
		W	D _s	H	T	d	L ₁	L ₂		
Chain No.	P	W	D _s	H	T	d	L ₁	L ₂	Lb.	Lb./Ft.
C2042CR	1.000	0.312	0.625	0.472	0.060	0.156	0.319	0.382	615	0.580
C2052CR	1.250	0.376	0.750	0.590	0.080	0.200	0.409	0.477	1,010	0.900
C2062HCR	1.500	0.500	0.875	0.687	0.125	0.234	0.590	0.660	1,410	1.461
C2082HCR	2.000	0.626	1.125	0.943	0.156	0.312	0.745	0.845	2,350	2.450

Corrosion Resistant Attachment Chain

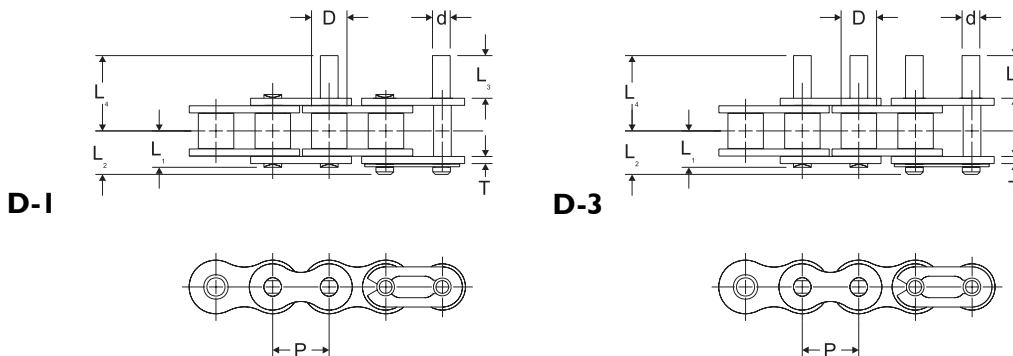
ANSI Roller Chain with Attachment



Silver Shield CR™ Coated Chain

Drives, Inc.	(BA-BK-SA-SK Type) Attachment													Average Weight per Attachment - Lb.	
Chain No.	P	T	K	KW	L	N	A	E	G	(2A)	(2G)	M	F	BA-SA	BK-SK
40CR	0.500	0.060	0.374	0.970	0.500	0.142	0.500	0.311	0.681	1.000	1.362	0.500	0.685	0.0044	0.0088
50CR	0.625	0.080	0.500	1.210	0.625	0.205	0.625	0.406	0.917	1.250	1.834	0.625	0.906	0.0066	0.0132
60CR	0.750	0.094	0.625	1.460	0.750	0.205	0.750	0.469	1.106	1.500	2.212	0.720	1.051	0.0154	0.0308
80CR	1.000	0.125	0.750	1.940	1.000	0.268	1.000	0.625	1.413	2.000	2.826	0.969	1.358	0.0287	0.0574
100CR	1.250	0.156	1.000	--	--	0.343	1.250	0.780	1.768	2.500	3.536	1.252	1.732	0.0572	0.1144
120CR	1.500	0.187	1.250	--	--	0.386	1.500	0.906	2.197	3.000	4.394	1.437	2.081	0.0968	0.1935
140CR	1.750	0.221	1.375	--	--	0.448	1.750	1.125	2.484	3.500	4.968	1.750	2.500	0.1562	0.3124
160CR	2.000	0.250	1.500	--	--	0.516	2.000	1.252	2.827	4.000	5.654	2.000	2.760	0.2134	0.4268

Extended Pin Roller Chain



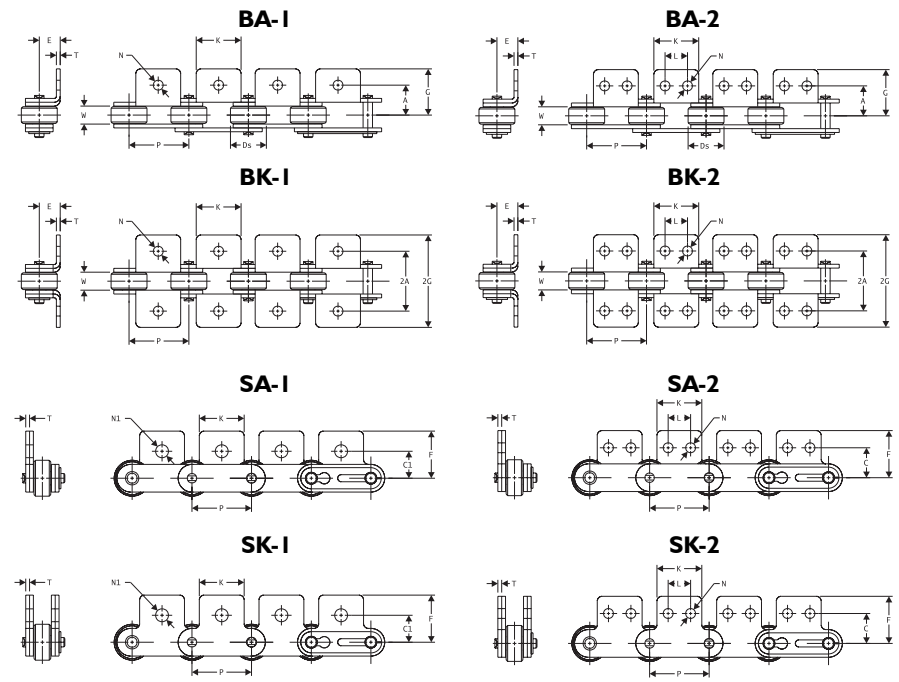
Silver Shield CR™ Coated Chain

Drives, Inc.									Average Weight per Attachment - Lb.	
Chain No.	P	T	d	L ₁	L ₂	L ₃	L ₄	D-1	D-3	
40CR	0.500	0.060	0.156	0.317	0.377	0.374	0.661	0.002	0.004	
50CR	0.625	0.080	0.200	0.399	0.489	0.469	0.827	0.004	0.008	
60CR	0.750	0.094	0.234	0.498	0.648	0.563	1.018	0.006	0.012	
80CR	1.000	0.125	0.313	0.638	0.857	0.752	1.335	0.020	0.040	

NOTE: Chain sizes 100, 120, 140 and 160 available in Silver Shield CR™ on a made-to-order basis. Consult Drives, Inc. Engineering for application recommendations.

Corrosion Resistant Attachment Chain

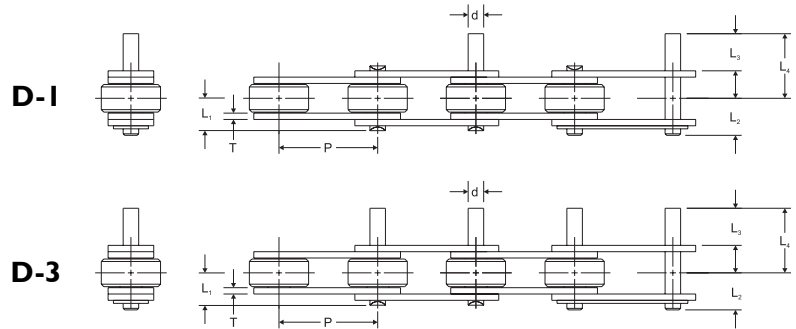
Extended Pitch Roller Chain with Attachment



Silver Shield CR™ Coated Chain

Drives, Inc.			(BA-BK-SA-SK Type) Attachment												Additional Weight Per Attachment-Lb		Max. Allowable Load
Chain No.	Pitch P	Link Plate T	(2A)						(2G)						BA-SA	BK-SK	
			K	N	L	A	E	G	B	H	C	F	C1	N1			
C2040CR C2042CR	1.000	0.060	0.750	0.142	0.374	0.500	0.358	0.750	1.000	1.500	0.531	0.780	0.437	0.205	0.006	0.013	615
C2050CR C2052CR	1.250	0.080	0.937	0.205	0.469	0.625	0.437	0.953	1.252	1.906	0.625	0.969	0.563	0.268	0.013	0.026	1,010
C2060HCR C2062HCR	1.500	0.125	1.126	0.205	0.563	0.844	0.579	1.230	1.688	2.460	0.750	1.205	0.689	0.346	0.037	0.075	1,410
C2080HCR C2082HCR	2.000	0.156	1.500	0.268	0.752	1.094	0.750	1.598	2.188	3.196	1.000	1.583	0.874	0.406	0.082	0.163	2,350

Extended Pin Roller Chain



Silver Shield CR™ Coated Chain

Chain No.	P	T	d	L ₁	L ₂	L ₃	L ₄	Additional Weight per Attachment-Lb.	
C2040 - C2042CR	1.000	0.060	0.156	0.317	0.377	0.374	0.661	0.002	0.004
C2050 - C2052CR	1.250	0.080	0.200	0.399	0.489	0.469	0.827	0.004	0.008
C2060H - C2062HCR	1.500	0.125	0.234	0.590	0.660	0.563	1.083	0.006	0.012
C2080H - C2082HCR	2.000	0.156	0.313	0.745	0.845	0.752	1.401	0.020	0.040